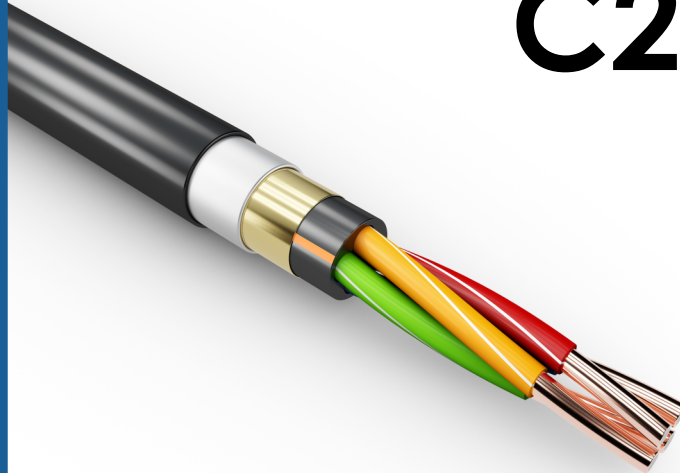




GENVOLT

Multi Conductor Cable

C2244



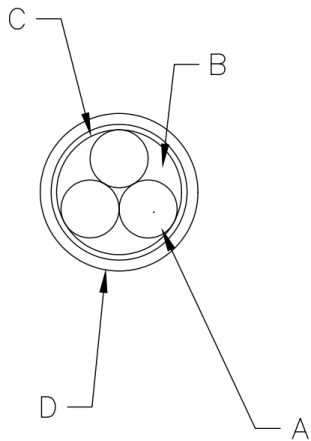
High Voltage
Multi Conductor Cable



C2244

60kV_{DC} / 20kV_{AC} / POLYETHYLENE DIELECTRIC / 3 CONDUCTOR

CONSTRUCTION



KEY

- A. 3 X #8 AWG (19/30) TINNED COPPER WIRE TO Ø0.230
- B. WATER BLOCKING COMPOUND
- C. SHIELD, #34AWG T.C. 85% COVERAGE
- D. JACKET: POLYURETHANE; BLACK 0.06 THK WALL TO Ø0.648

TECHNICAL INFORMATION

Voltage kV (DC)		60		Voltage kV (AC)		20	
Number of Conductors		3		Outside Diameter	Inches	0.650	
					cm	1.651	
AWG		#18		Impedance	ohms	50	
Strands		19/30 TC			Capacitance	pF/ft	37
Insulation		Polyethylene		Min Bend Radius	Inches	6.00	
Semicon Diameter		0.090" / 0.23cm			cm	15.24	
Dielectric Insulation	Material	Polyethylene		Min Ambient Temp	°F	-60	
	Diameter (in)	0.230			°C	-51	
	Diameter (cm)	0.580		Max Conductor Temp	°F	140	
Shield	Construction	#34 TC Braid			°C	60	
	AWG Equiv	#15		Weight	lb/ft	0.090	
	Coverage %	85%			kG/m	0.134	
	Semicon	N/A		Jacket Material		Polyurethane	

GLOBAL PRESENCE



UK Office:

Genvolt, New Road, Bridgnorth, Shropshire, WV16 6NN, United Kingdom

Tel: +44 (0) 1746 862 555

Email: info@genvolt.co.uk Website: www.genvolt.com

India Office:

Genvolt India Private Limited

806, Suratwala Mark Plazzo, Hinjewadi Village, Hinjewadi, Pune, Maharashtra - 411057, India

Email: supportindia@genvolt.co.uk Website: www.genvolt.in

Research and Development:

Genvolt Ltd

New road, Bridgnorth, Shropshire, WV16 6NN

Factories:

Genvolt Ltd

New road, Bridgnorth, Shropshire, WV16 6NN

Boher High Voltage Power Supplies Ltd (Genvolt China)

No. 79 Yandangshan Road, Suyu District, Suqian City, Jiangsu, China